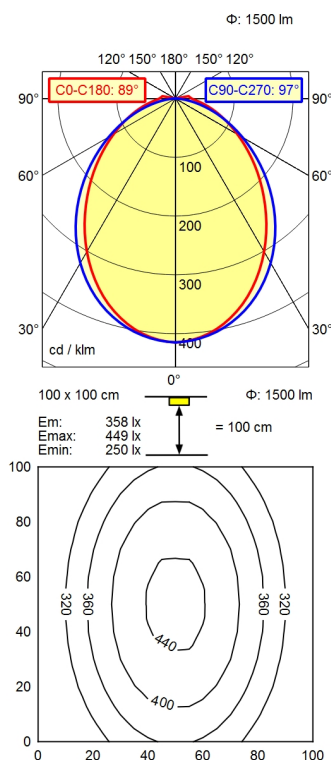


M12-A-5



- light source
- work equipment
- connected load
- power consumption
- luminous flux
- luminous efficiency
- light distribution
- beam angle
- colour temperature
- glare control
- system of protection
- class of protection
- technology
- operation
- housing
- cover
- weight (net)
- mains lead
- design
- fastening
- dimension

- LED
- without
- 22-26 V, DC
- env. 30 W
- approx. 1.500 lm
- approx. 50 lm/W
- direct
- 89° / 97°
- yellow
- screen
- IP 54
- III
- switchable
- external
- aluminium/plastic; anodised, painted; aluminium
- coloured anodised
- Acrylic satine
- env. 0,625 kg
- built-in plug; M12-A-5
- mounted version
- bracket
- A=1455mmCmin=1410mmCmax=1440mm